

FEED-IN for SLV 3-CIRCUIT SURFACE MOUNTED TRACK

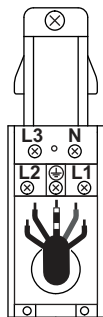
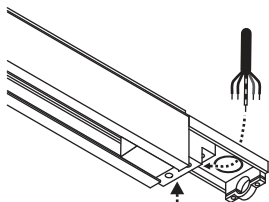
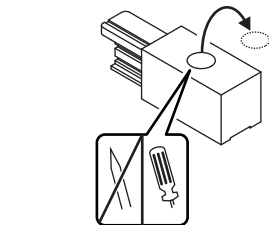
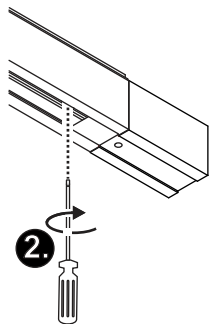
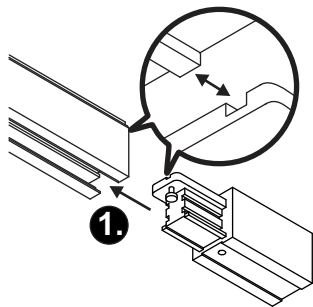
art.-no. 1001378 175040/44 1001379 175050/54

220V-250V
~50Hz

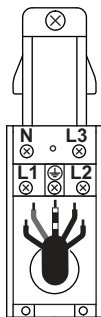
16A
max.



1001375 175010/14
1001376 175020/24
1001377 175030/34



art.-no.
1001378 175040/44



art.-no.
1001379 175050/54

